

# SPECIFICATIONS

(RoHS Compliant)



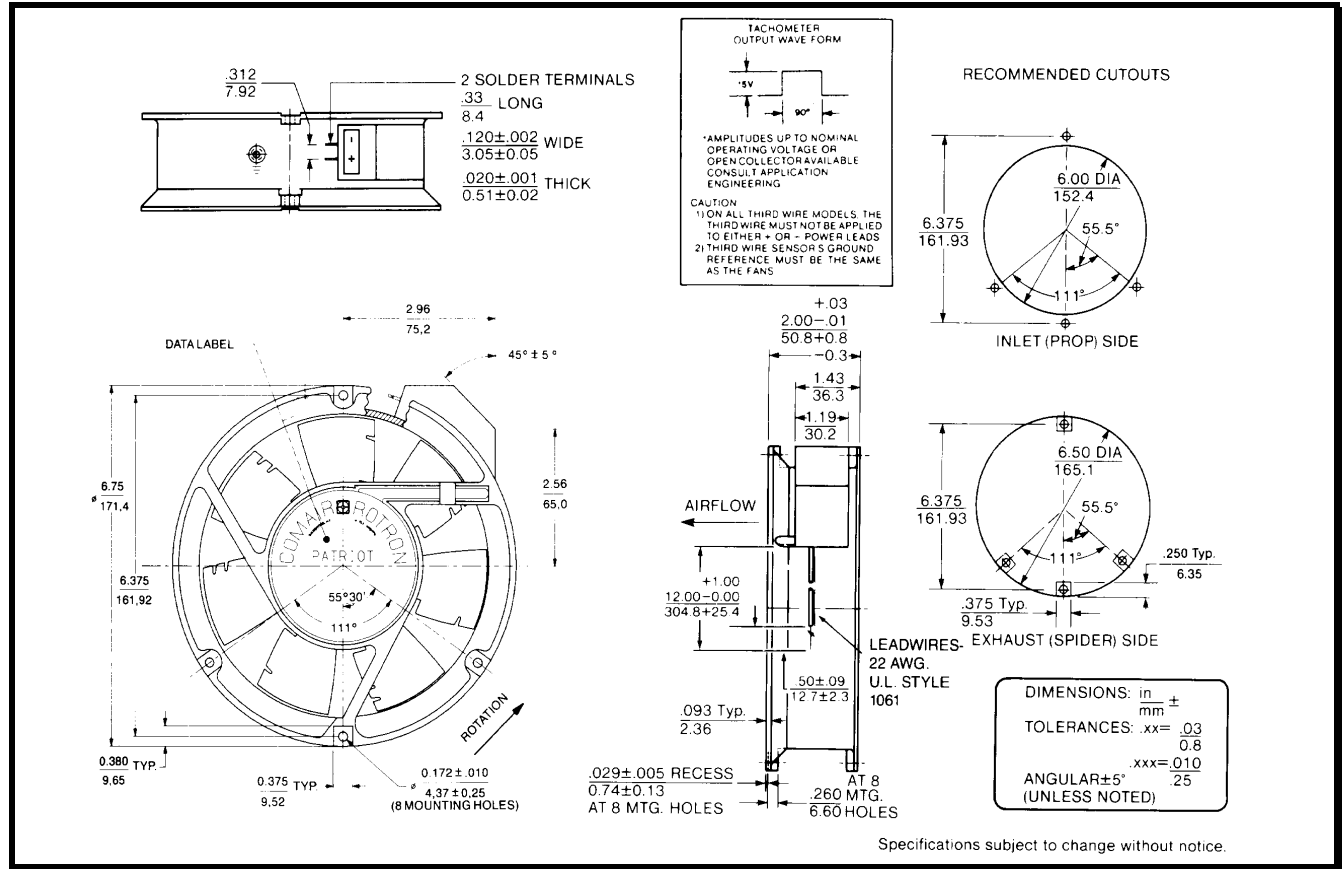
Model Number: PQD24B3-E3

Version:00

Part Number: 17001205A

Jun 13, 2018

## Mechanical Drawing:



### Motor:

Nominal Voltage	= 24 vdc
Operating Voltage Range	= 16 – 32 vdc
Nominal Running Current	= 1.0 amps
Locked Rotor Current	= 2.00 amps
Running Power	= 24 watts
Average Speed	= 3400 RPM
Bearings	= Ball
Air Flow	= 235 CFM
Acoustic	= 54.3 dBA

### Construction:

Venturi: Single piece, die-cast aluminum, Black  
 Propeller: Plastic, Black, UL 94V-0

### Life Expectancy:

This fan is designed for continuous duty life of 58,000 hours at 70°C.

### Additional Features:

Brushless DC Motor  
 Polarity Protected  
 Locked Rotor Protection  
 Automatic Restart Capability  
 Operating Temperature: -10°C to 70°C  
 Storage Temperature: -40°C to 85°C  
 Environmental Protection: Type 3(IP68)

### Termination:

12" Lead wires, AWG 22, UL 1061  
 Red = Power (+)  
 Black = Return (-)

### Agency Approvals:

UL, CUL, CE

**PQ Curve:**

