

4

3

2

1

THIS DRAWING IS UNPUBLISHED.

RELEASED FOR PUBLICATION

20

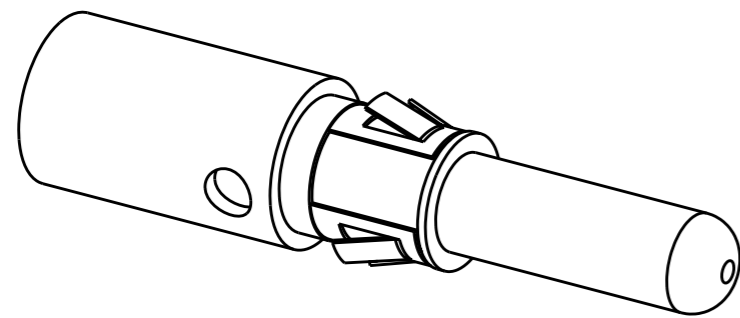
© COPYRIGHT 20

BY TYCO ELECTRONICS CORPORATION. ALL INTERNATIONAL RIGHTS RESERVED.

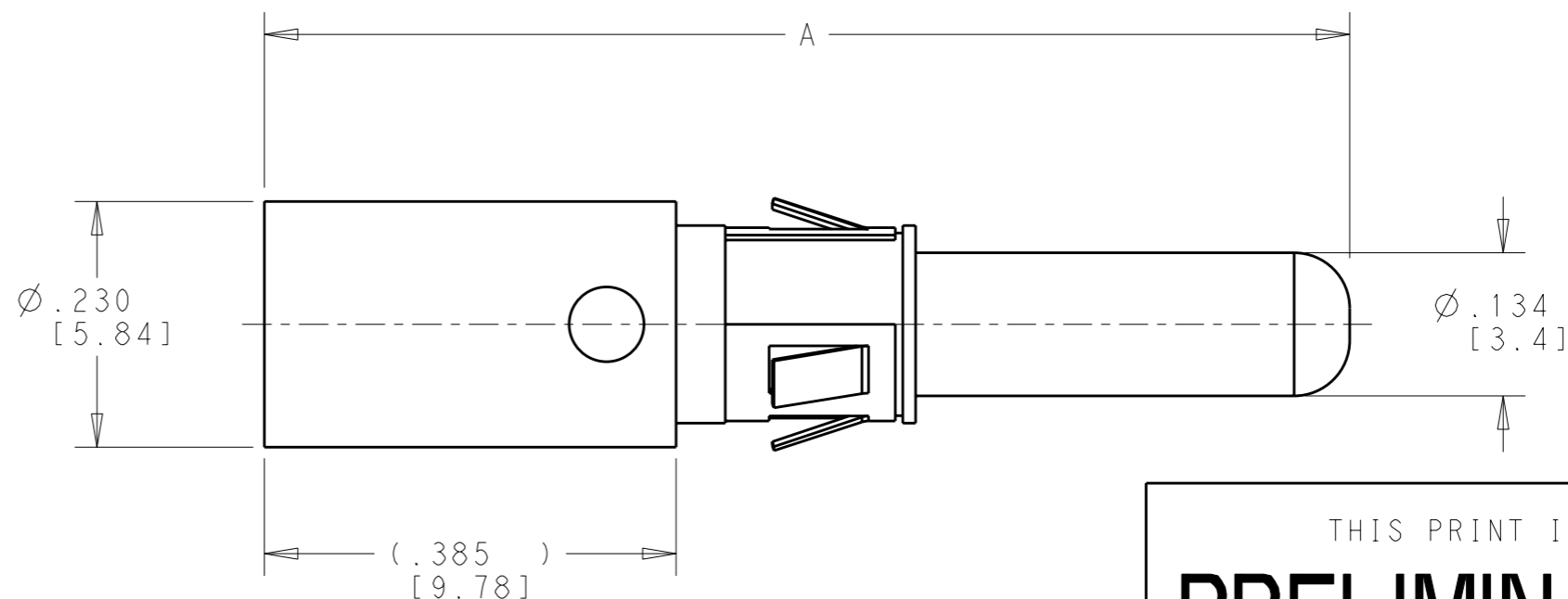
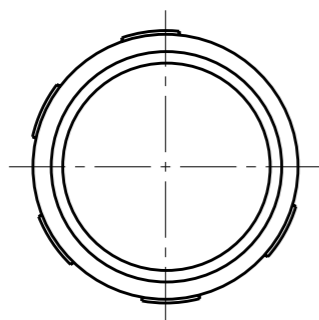
LOC GP DIST 00

REVISIONS

P	LTR	DESCRIPTION	DATE	DWN	APVD
	1	PROPOSED DESIGN	15DEC2009	RG	GS
	2	REVISED	09FEB2010	RG	DO



SCALE 4:1



THIS PRINT IS  
**PRELIMINARY**  
 UNQUALIFIED PRODUCT  
 CONTACT PRODUCT ENGINEERING  
 BEFORE USING THIS PRINT

- 1 MATERIAL:  
 PIN BODY: COPPER ALLOY  
 RETENTION CLIP: STAINLESS STEEL
- 2 FINISH:  
 PIN BODY: GOLD PLATE .000030 (0.76µm) MIN THK GOLD OVER  
 .000050 (1.27µm) MIN THK NICKEL
- 3. WIRE BARREL WILL ACCEPT No. 8 AWG WIRE
- 4. MATES WITH P/N 1986609-1

1.015 [25.8]	1986603-2
.975 [24.8]	1986603-1
DIM "A"	PART NO.

<small>THIS DRAWING IS A CONTROLLED DOCUMENT FOR TYCO ELECTRONICS CORPORATION          IT IS SUBJECT TO CHANGE AND THE CONTROLLING ENGINEERING ORGANIZATION          SHOULD BE CONTACTED FOR THE LATEST REVISION.</small>		DWN 15DEC2009 R. GRZYBOWSKI CHK 15DEC2009 G. STEINHAUER APVD 15DEC2009 M. PERCHERKE		Tyco Electronics Harrisburg, PA 17105-3608	
DIMENSIONS: INCHES [mm]		TOLERANCES UNLESS OTHERWISE SPECIFIED:		<b>PRELIMINARY</b> PIN, POWER MODIFIED No.8 AWG	
		0 PLC ±- 1 PLC ±- 2 PLC ±.02 [0.5] 3 PLC ±.010 [0.25] 4 PLC ±- ANGLES ±-		PRODUCT SPEC - APPLICATION SPEC - WEIGHT -	
MATERIAL 1		FINISH 2		SIZE A3 CAGE CODE 00779 DRAWING NO C-1986603 RESTRICTED TO -	
CUSTOMER DRAWING				SCALE 6:1 SHEET 1 OF 1 REV 2	